

aquatica®

Function : Form : Fashion



*CS-703*

**High-Performance Shower Mixer**

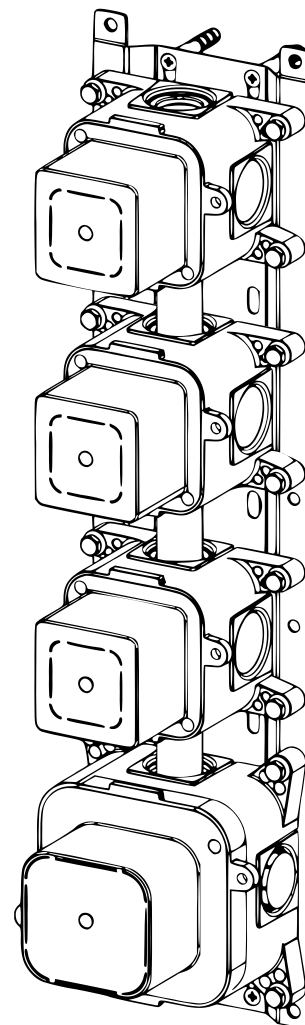
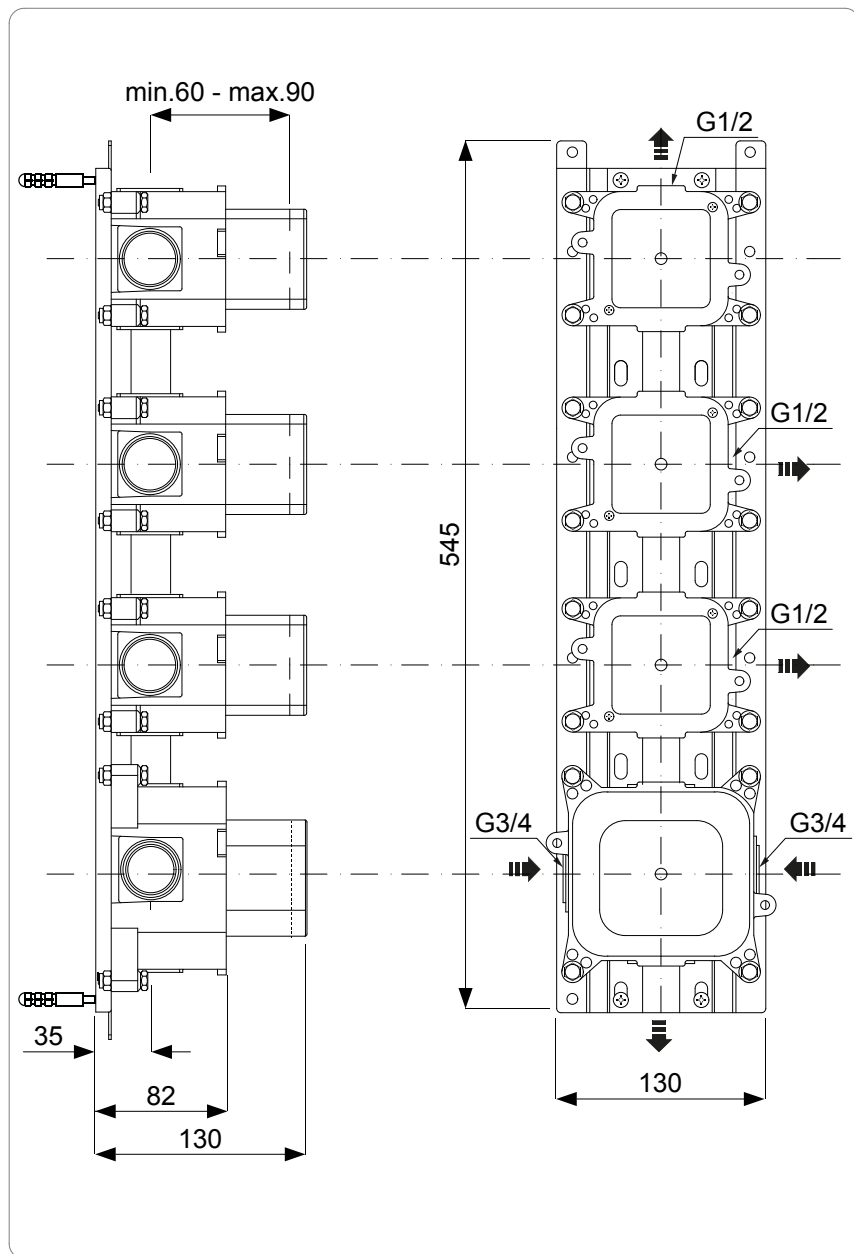
**Installation & Care Manual  
Europe / International**

# CS-703

## High-Performance Shower Mixer

### PARTS LIST

 MEASUREMENTS: mm



#### SPECIFICATIONS

Recommended operational pressure .....	1-5 bar
Maximum test pressure .....	16 bar
Maximum hot water temperature .....	80 °C
Recommended temperature .....	50-60 °C
Pressure difference between hot and cold water .....	max. 1,5 bar

#### IMPORTANT NOTE

- Installation to be performed by qualified personnel
- Before connecting to mains, bleed the pipes to avoid damage.



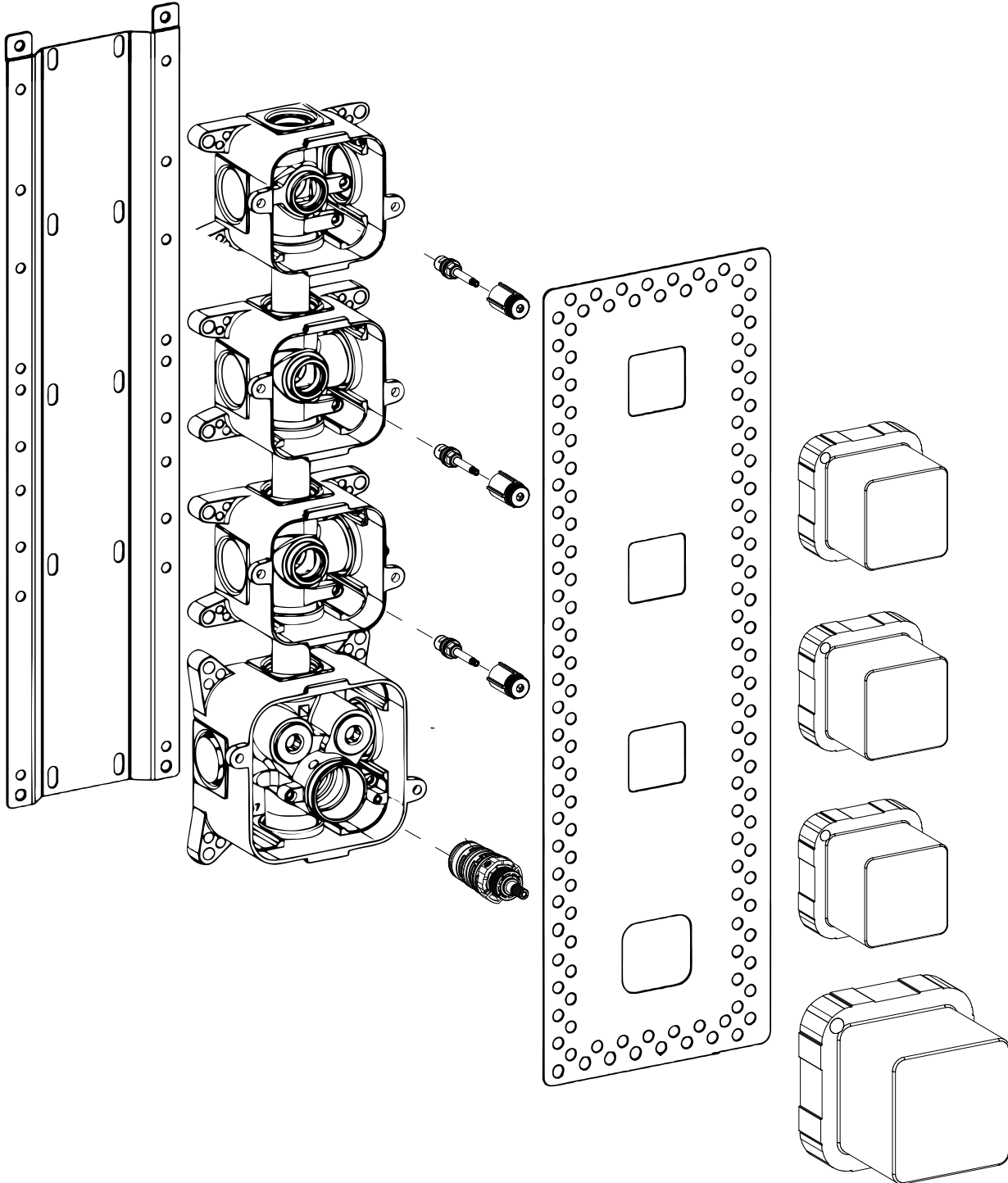
CS-703

High-Performance Shower Mixer

INSTALLATION SEQUENCE

aquatica®

Function : Form : Fashion



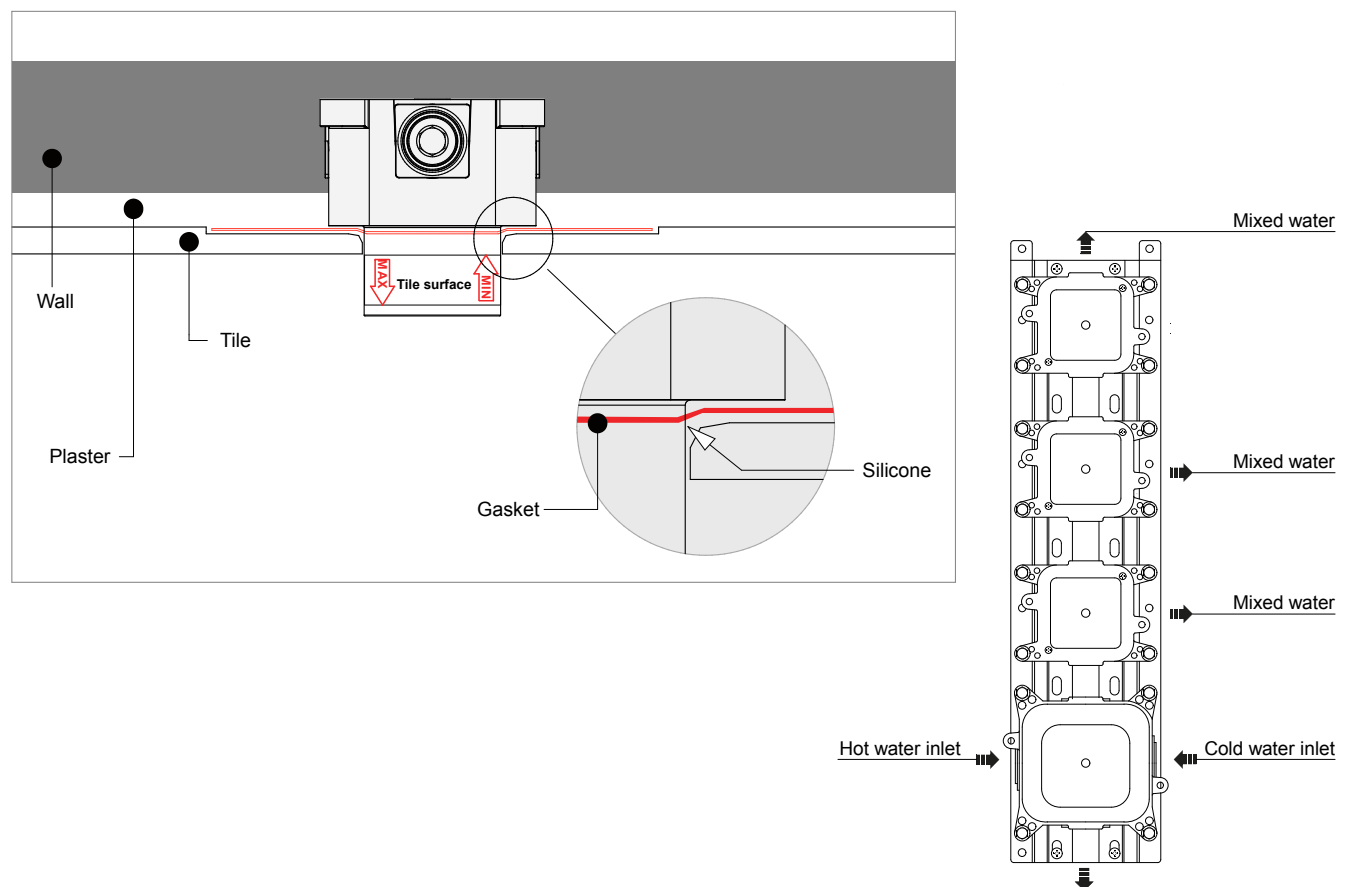
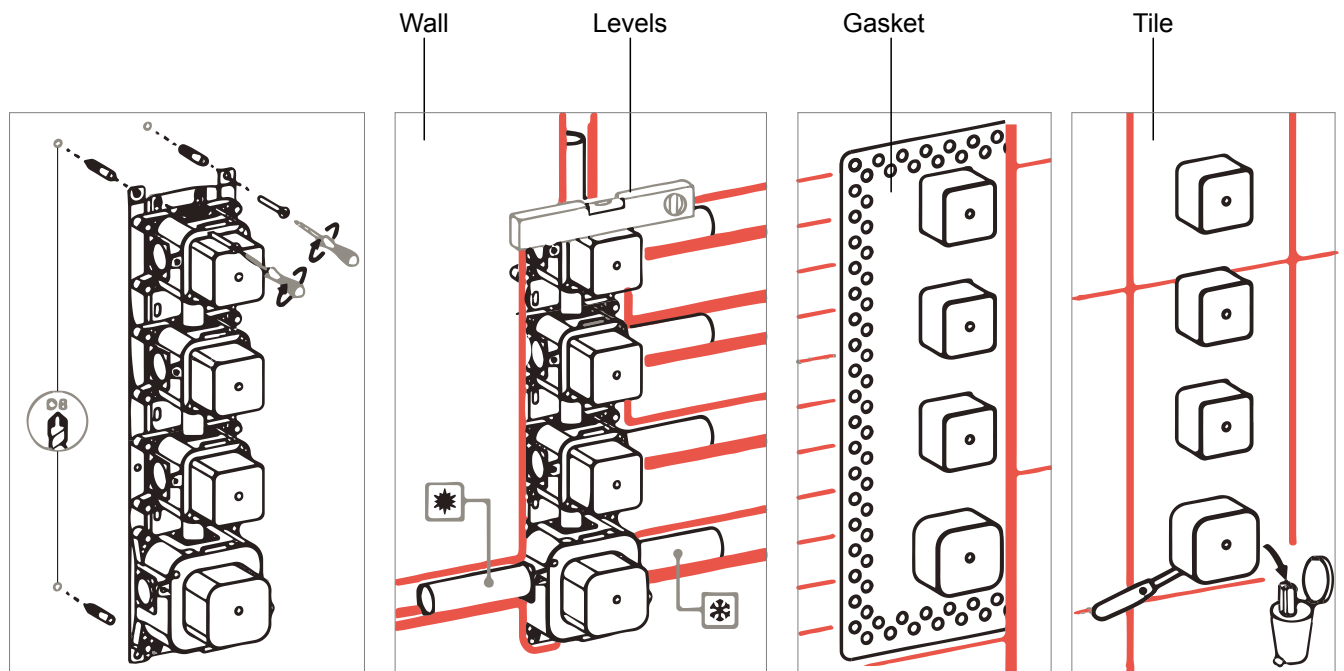
aquatica®

Function : Form : Fashion

# CS-703

## High-Performance Shower Mixer

### INSTALLATION SEQUENCE



# aquatica®

Function : Form : Fashion

